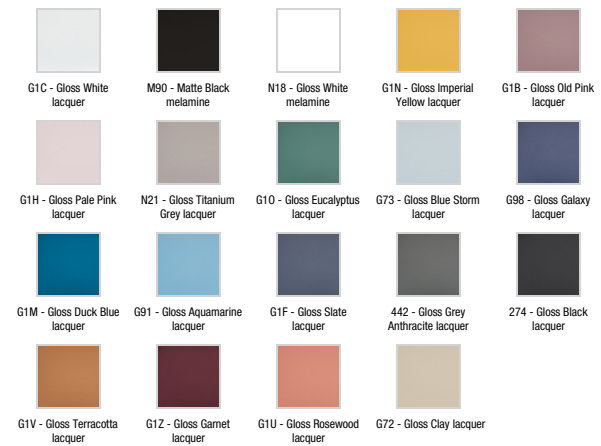




Collection: NOUVELLE VAGUE

Finish*:



Main features:



Features

- **DIMENSIONS:** 45.20 x 30 x 46.80 cm
- **MATERIAL:** Lacquer or melamine
- **INSIDE STORAGE:** 1 shelf
- **ELECTRICAL OUTLET:** No
- **VERSION:** Left

- **WEIGHT:** 8.9 kg
- **INSTALLATION TYPE:** Wall-hung
- **SHELF:** Yes
- **INSIDE FINISH:** Basalt

Consumer benefits

- **SOUND COMFORT:** Door equipped with a damper close system
- **STORAGE MODULARITY:** Several fixed or removable storage shelves

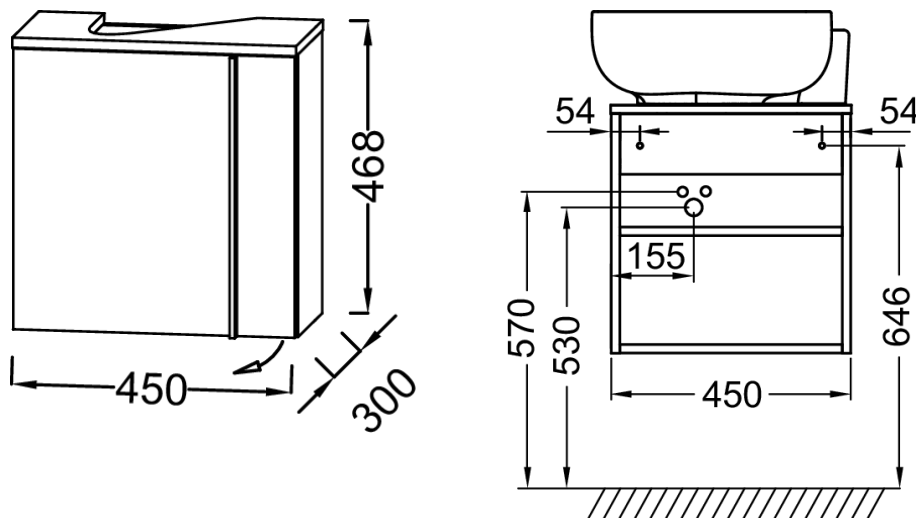
Installation benefits

- **EASY INSTALLATION:** Assembled cabinet, removable hinges

Required products

- EGK112: Handwash basin 45 cm

Technical drawing



Product Specification: Handwash basin base unit 45 cm, LH hinged. EB3045G. Collection: NOUVELLE VAGUE. DIMENSIONS: 45.20 x 30 x 46.80 cm. WEIGHT: 8.9 kg. MATERIAL: Lacquer or melamine. INSTALLATION TYPE: Wall-hung. INSIDE STORAGE: 1 shelf. SHELF: Yes. ELECTRICAL OUTLET: No. INSIDE FINISH: Basalt. VERSION: Left.

*Due to possible variations in computer and printer calibrations, technical factors and certain finish characteristics, the colors you see may not accurately portray the actual colors and are provided as a guide only.