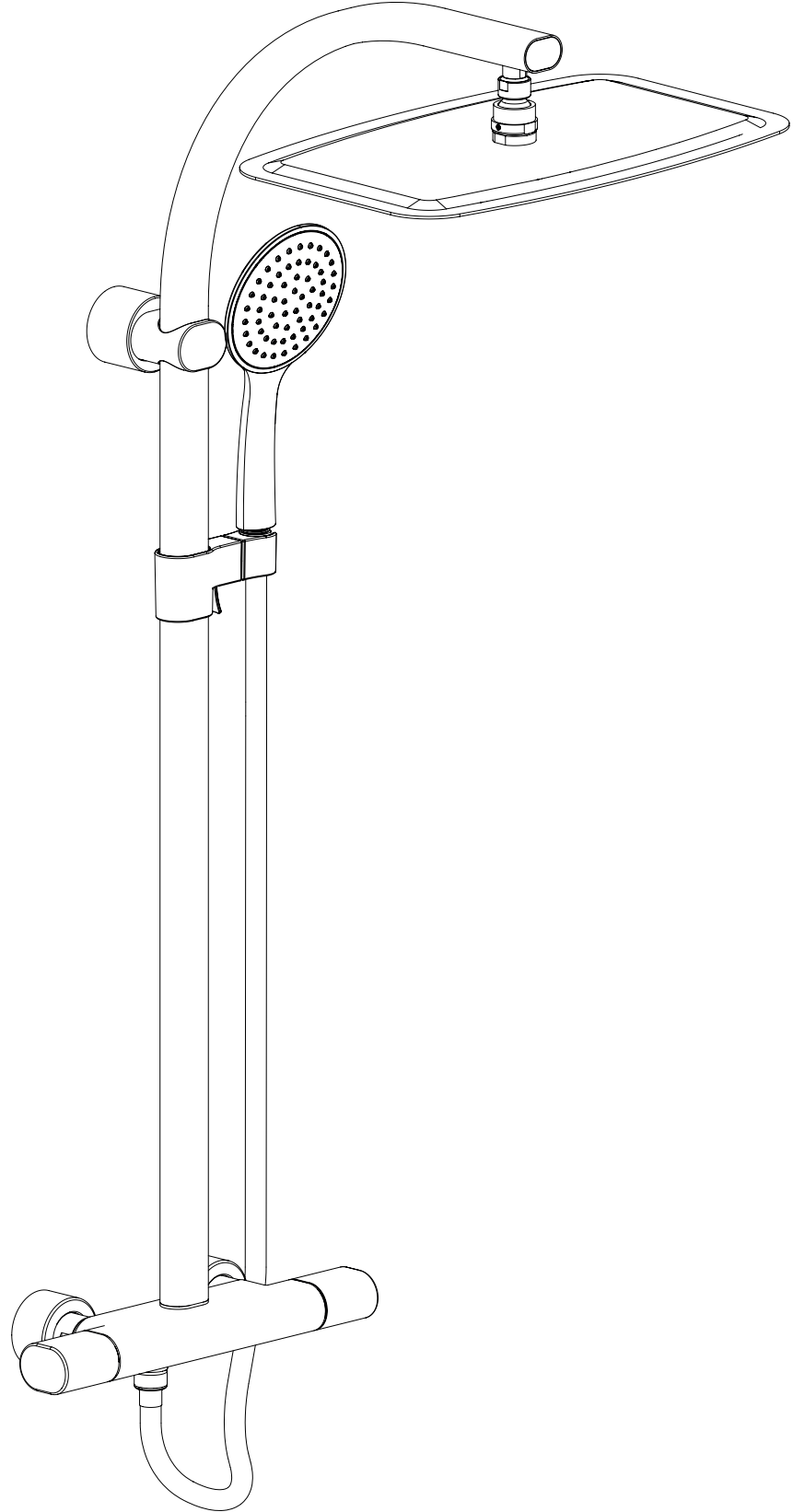
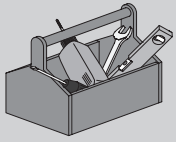


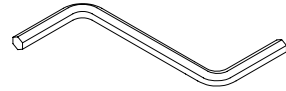
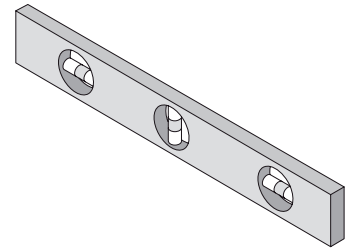
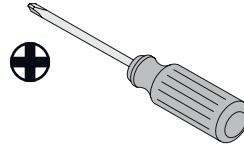
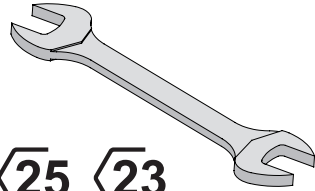
*Jacob Delafon*



OBLO DESIGN



30 25 23



2.5



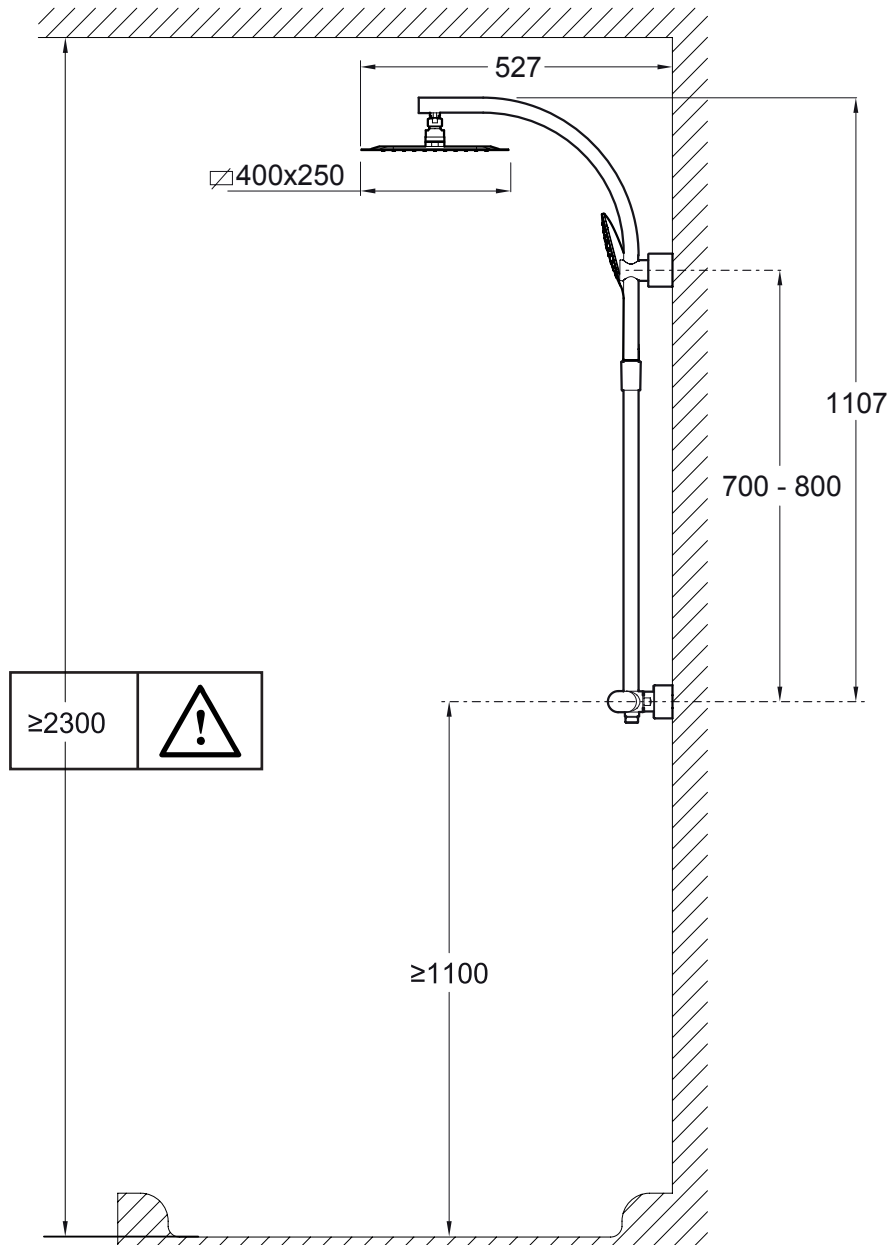
Bar

0.5 < 3 < 6



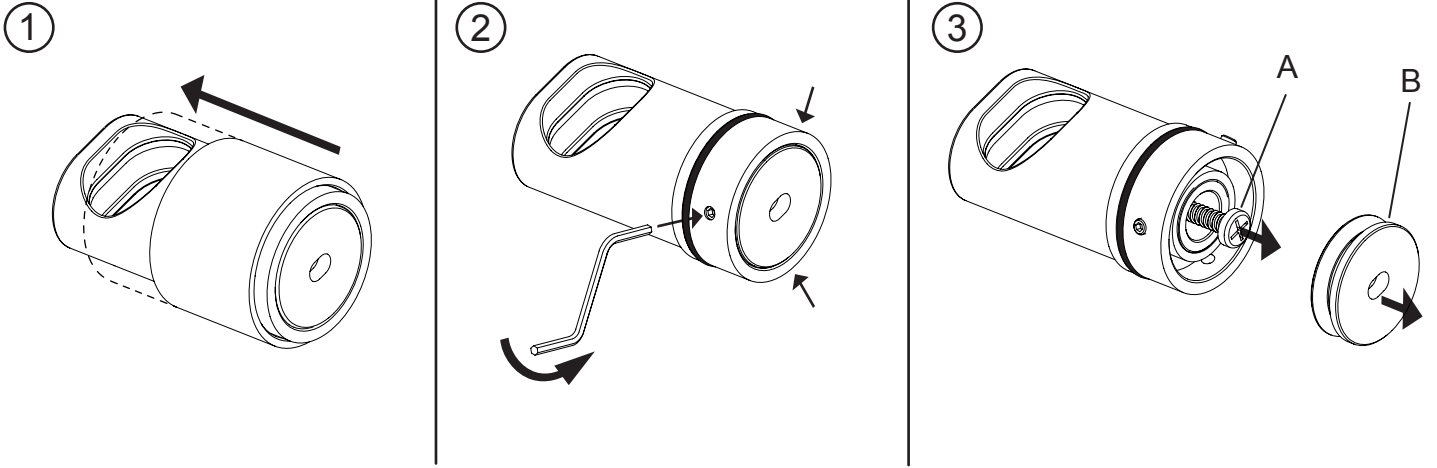
°C

55 < 60 < 65

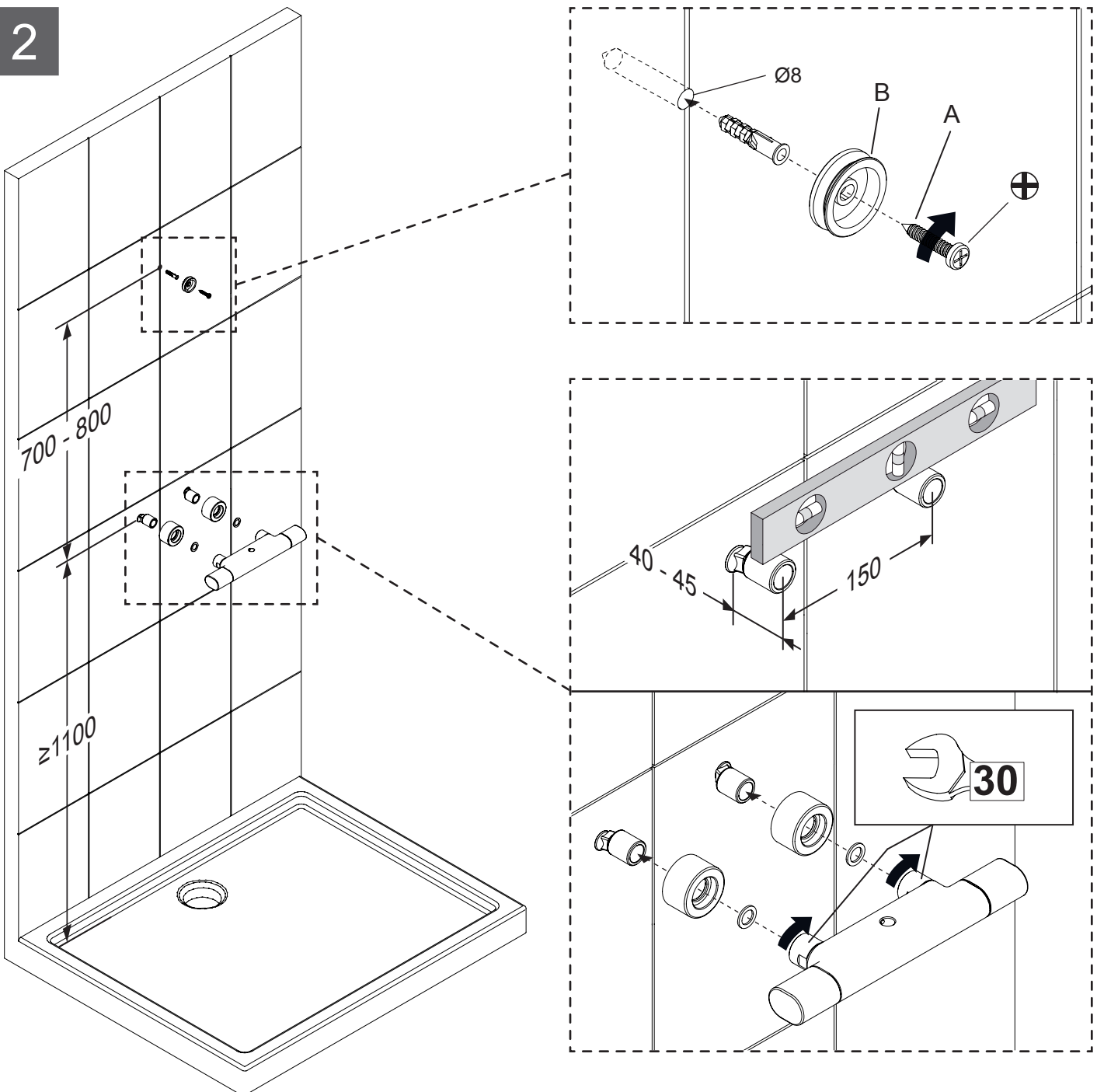


E20642-\*\*

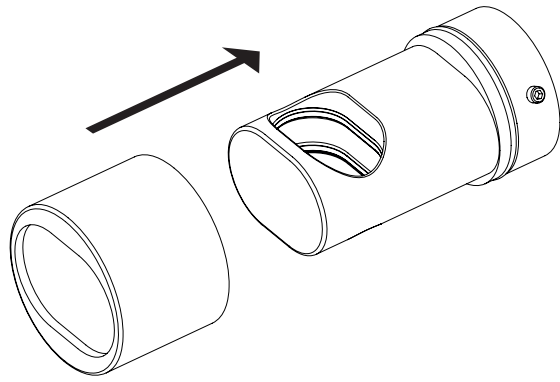
1



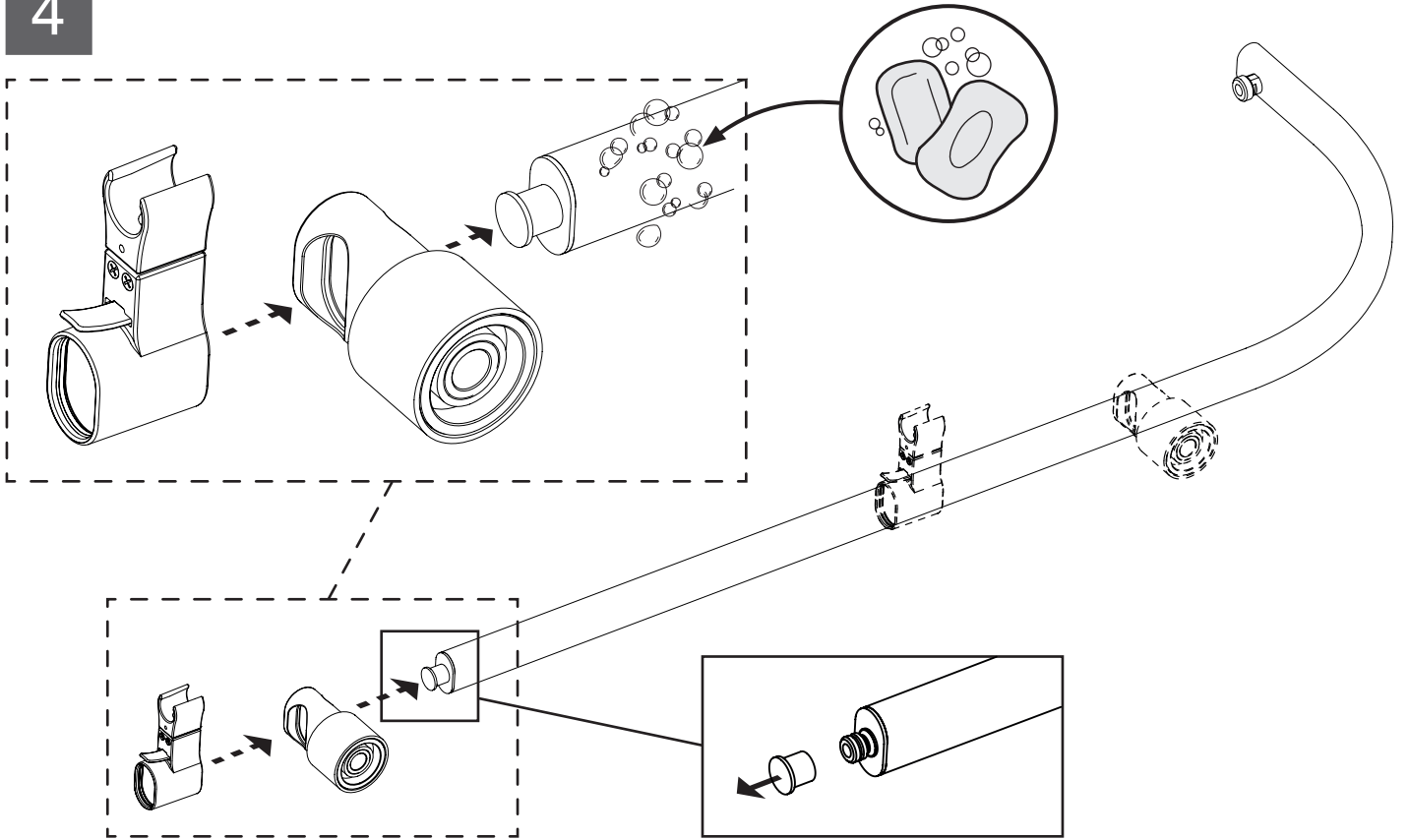
2



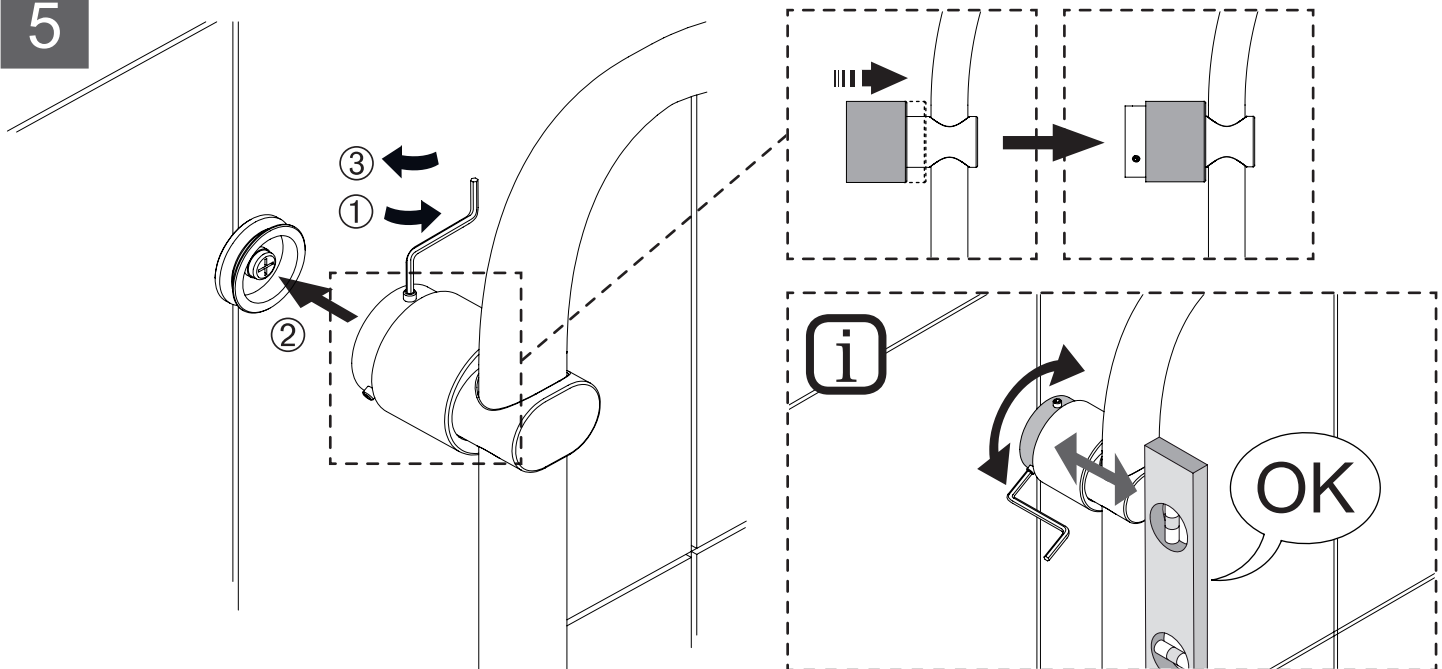
3



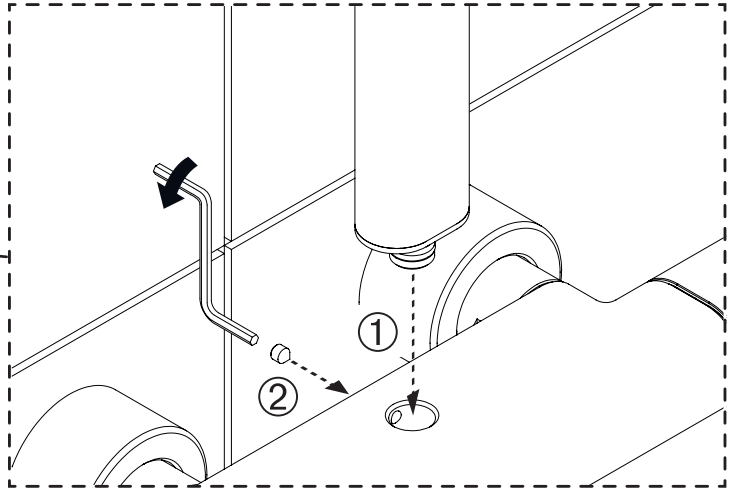
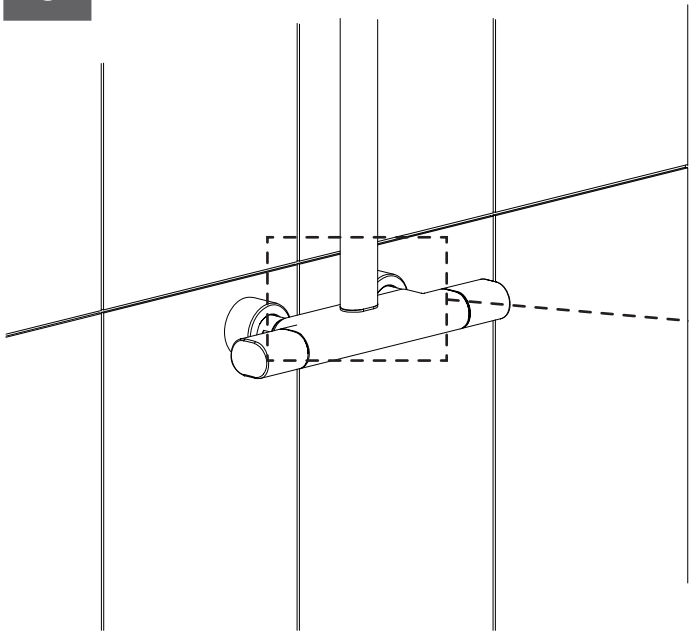
4



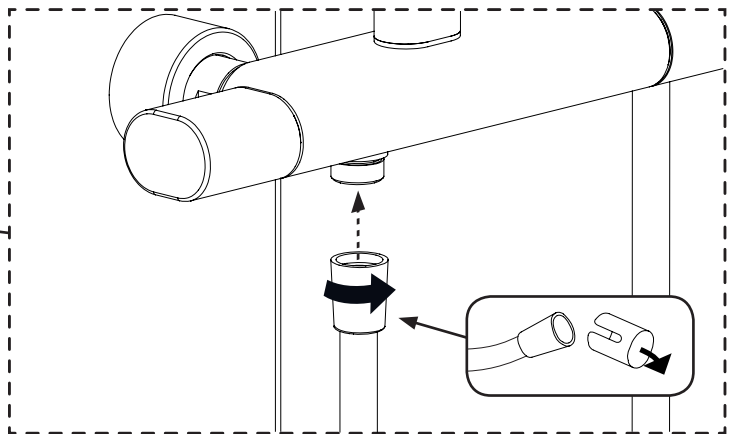
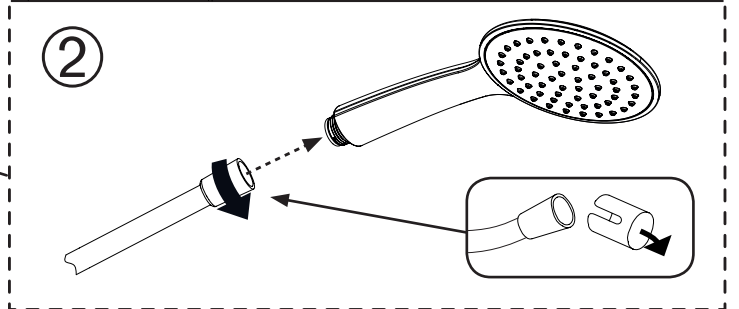
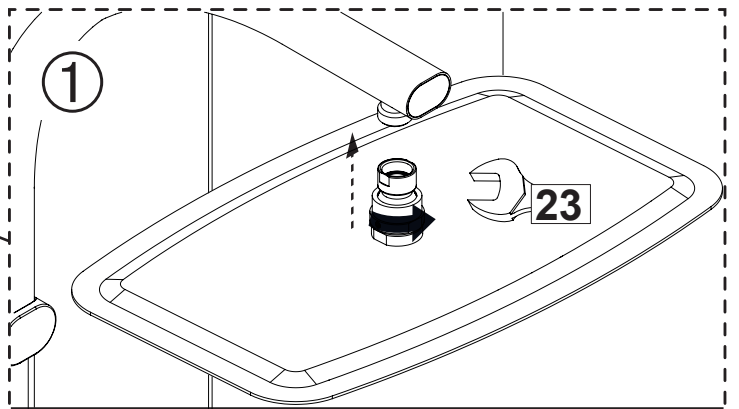
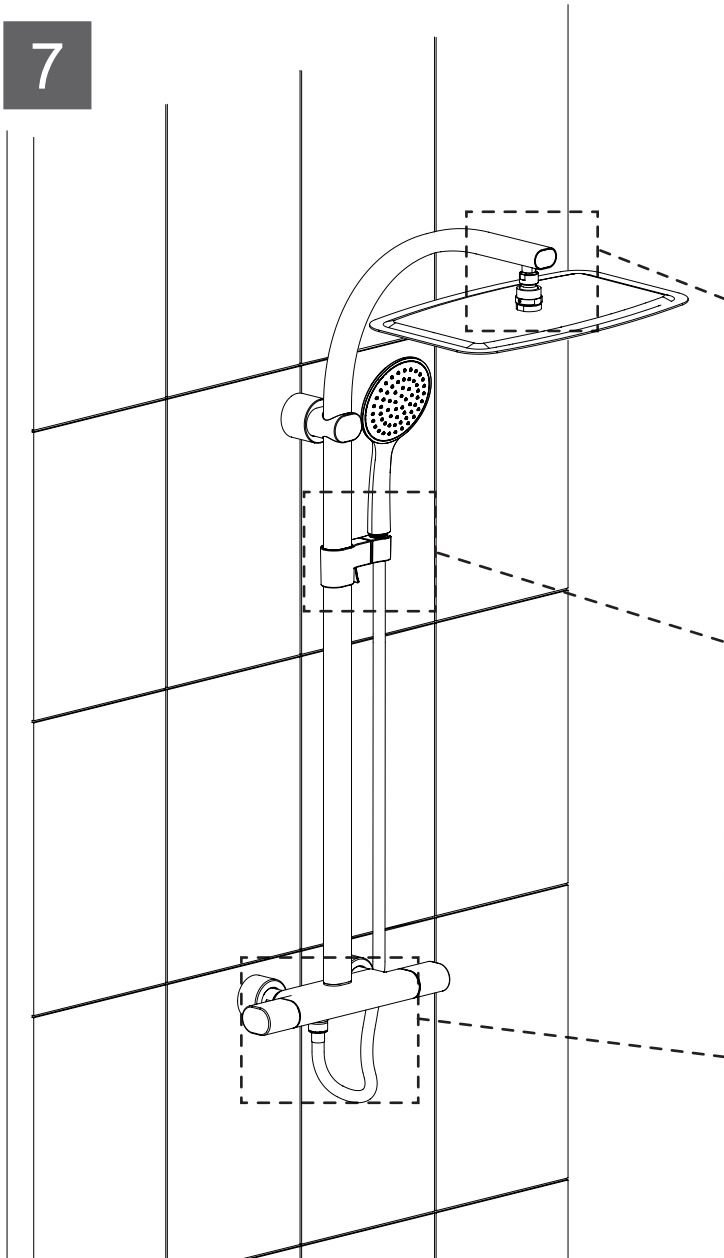
5

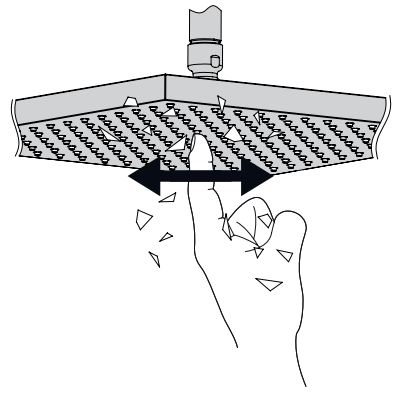
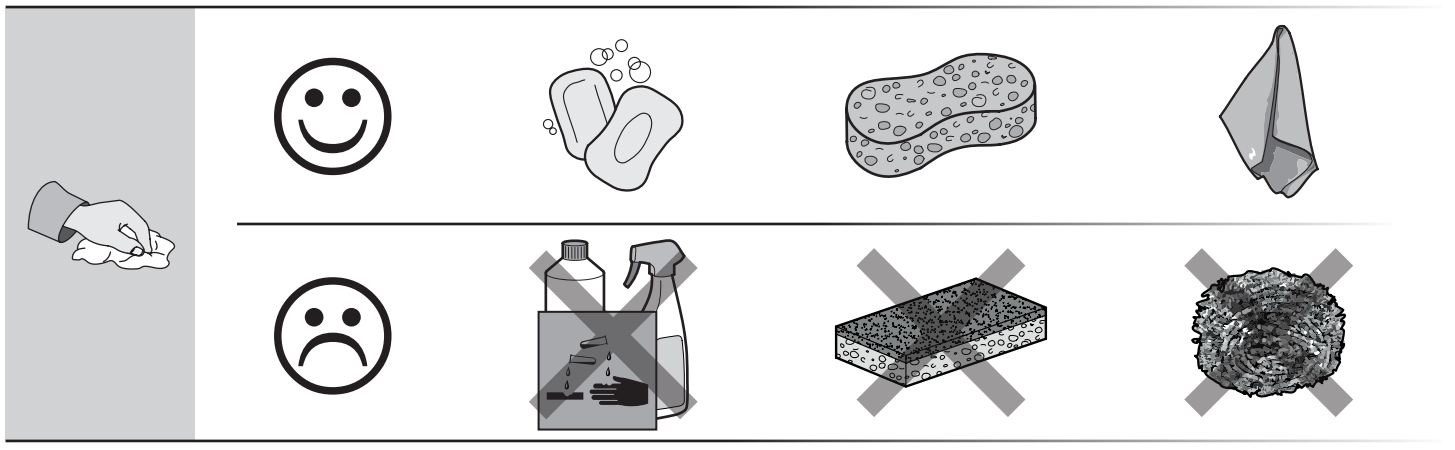
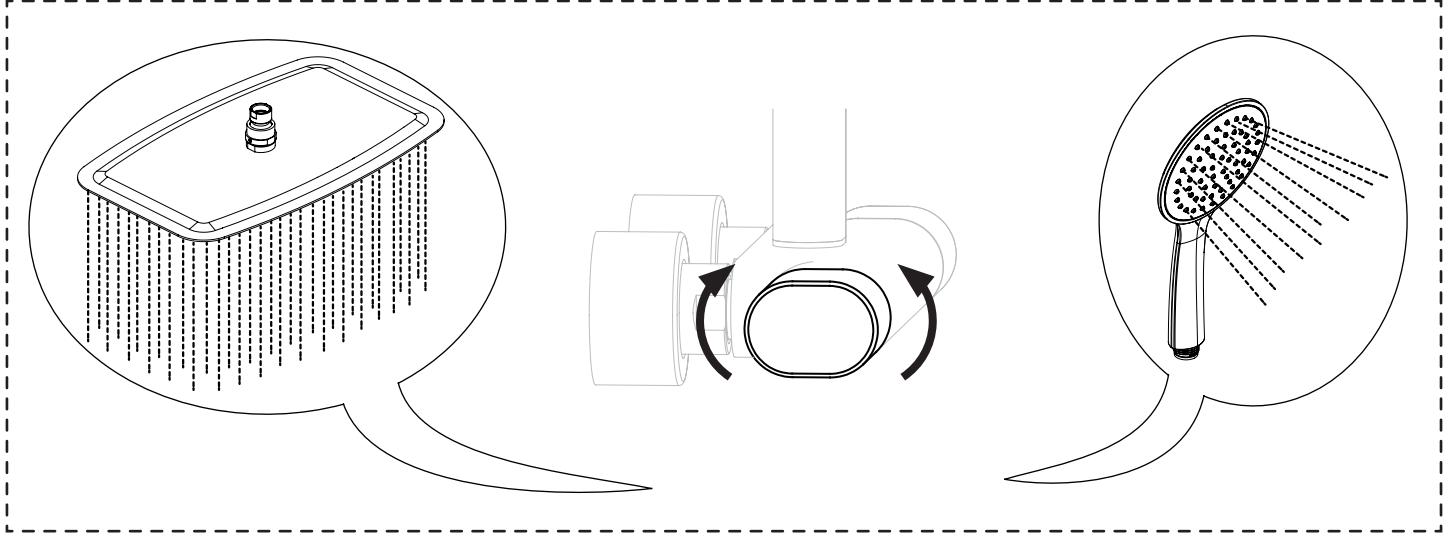
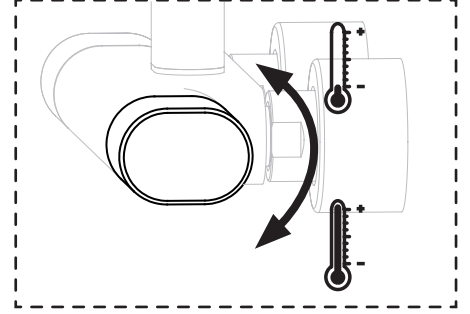
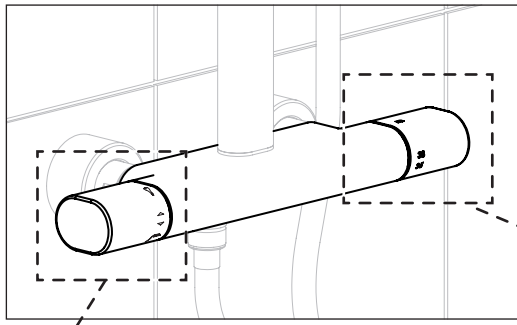


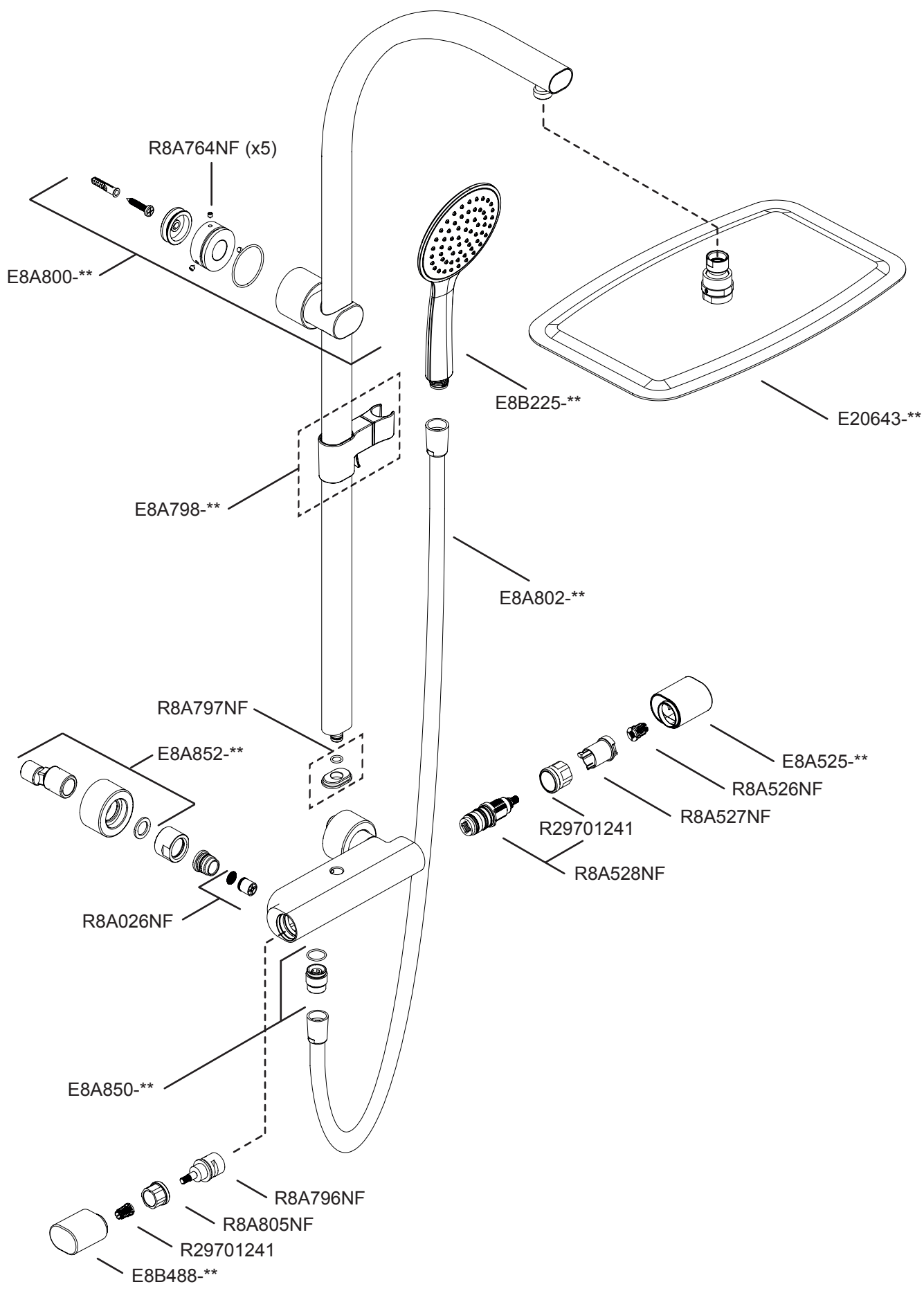
6



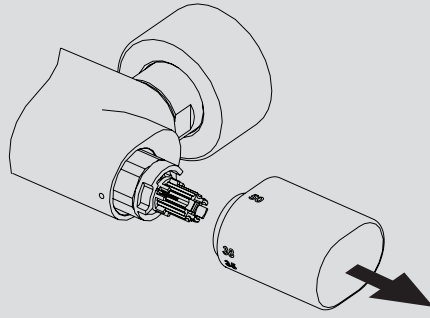
7



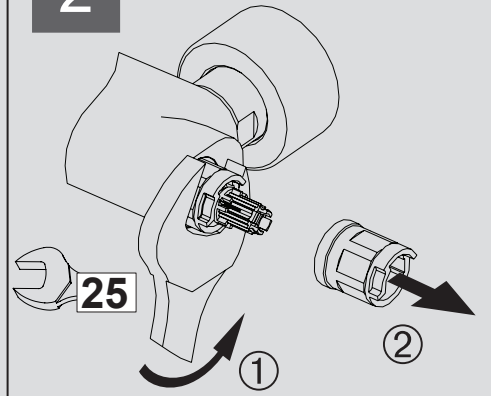




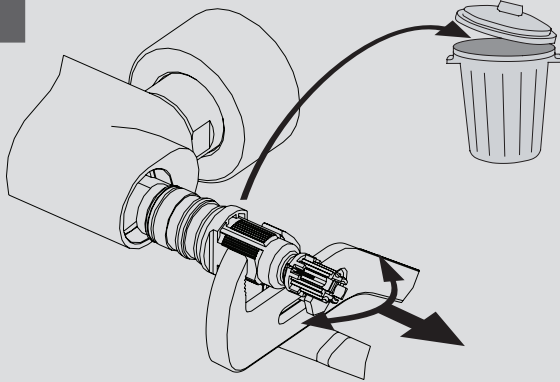
1



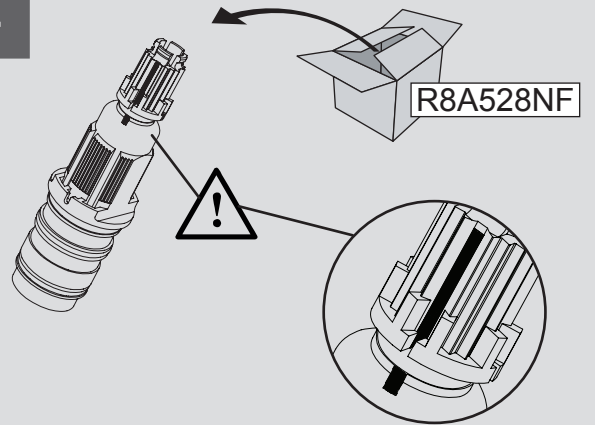
2



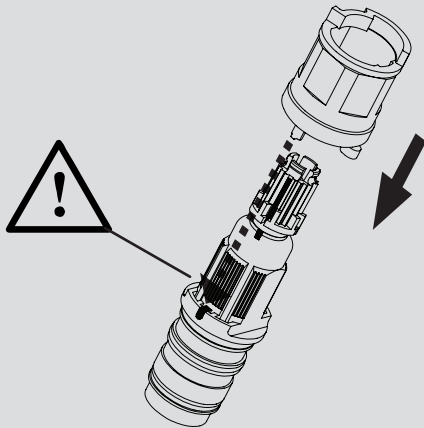
3



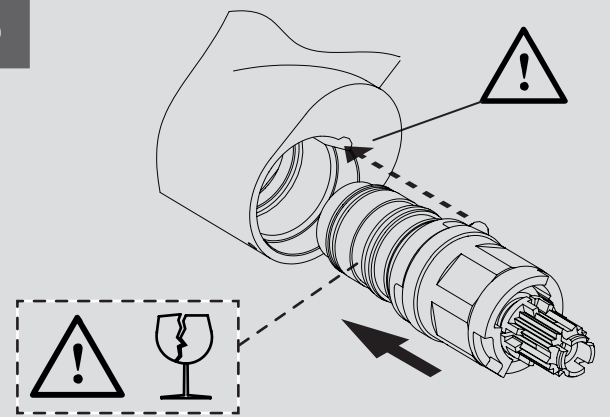
4



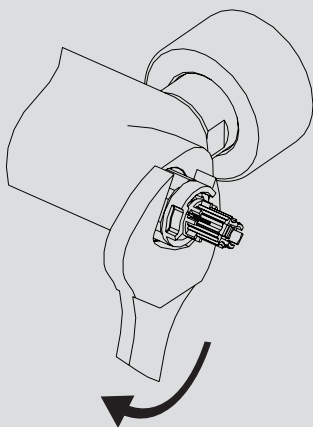
5



6



7



8

